

## D2000 - PTFE | SWIVEL JOINT



### SWIVEL JOINTS FOR HEAVY DUTY SPECIAL APPLICATIONS

The swivel joint D2000 - PTFE is a variant of the basic form. It is internally lined with PTFE and is equipped with a special seal. Therefore it is suitable for extremely aggressive products.

The ball tracks are encapsulated by two O-rings. Neither dirt from the outside nor product from within (in case of leakage) can reach the ball track.

Should the main seal fail, leakage is indicated through the leak detection port. This port is PTFE sleeved. Thus contact of product with carbon steel components is prevented.

The bearing module with his deep flame hardened ball race and the special designed seals guarantee a reliable and long life working swivel joint. The bearing module and the seals can be easily replaced. All carbon steel parts could be made of stainless steel.

The D2000 - PTFE swivel joint is equipped with special flanges. The connection flanges for the pipes are included in the swivel joint order. These flanges are welded to the pipes and then PTFE lined as an assembly.

# D2000 - PTFE

# D2000-PTFE | SWIVEL JOINT

## TECHNICAL DATA D2000-PTFE

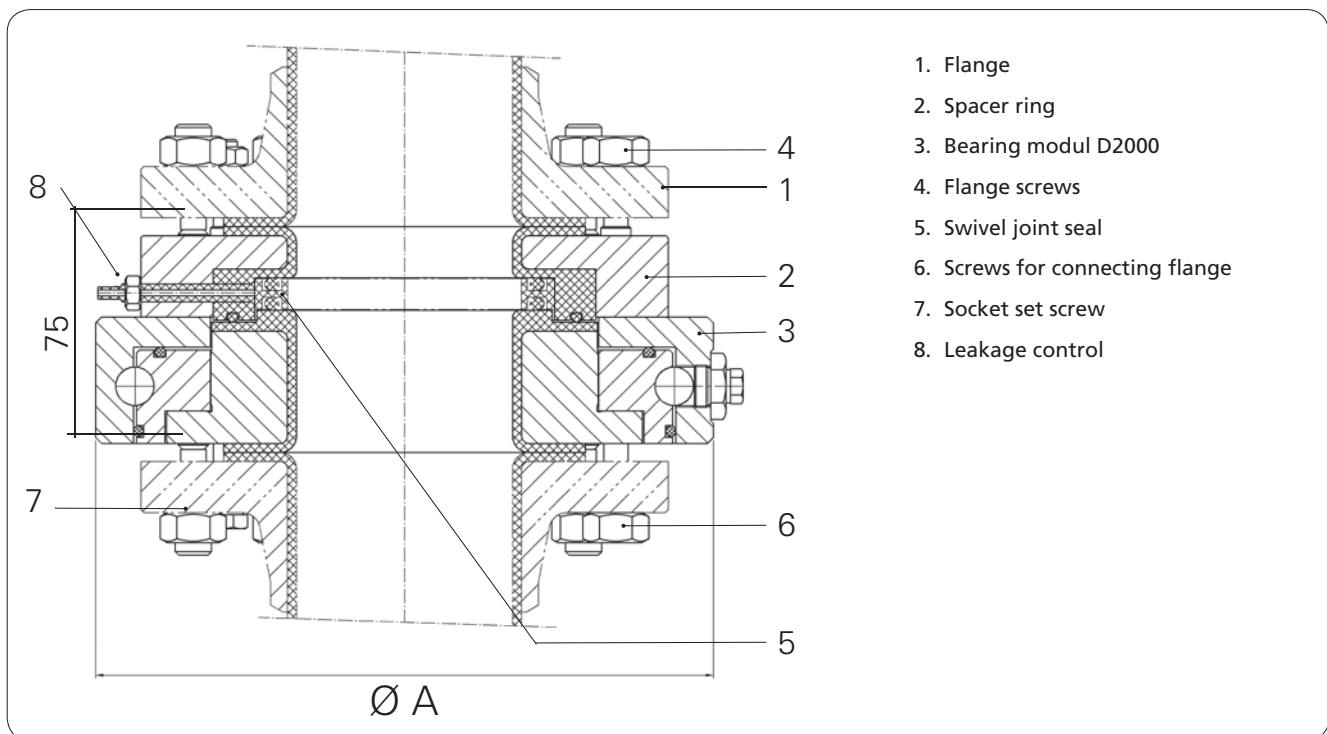
Size* DN	Material	Seal material	Allowable internal pressure (gauge pressure)		Allowable temperature range**
			operational	test pressure	
50, 80, 100, 150, 200	carbon steel steel PTFE lined	PTFE	10 bar	15 bar	-10 °C to +150 °C

\* Larger sizes are available  
\*\* Temperature range might be restricted due to seal material

## DIMENSIONS AND WEIGHTS (METRIC) D2000-PTFE

Size	A	Bolts	Weight
DN 50	176	8 x M 8	9 kg
DN 80	205	8 x M 8	12 kg
DN 100	256	12 x M 10	18 kg
DN 150	on request	on request	on request
DN 200	on request	on request	on request

Dimensions and weights for larger swivel joints are available on request



D2000 - PTFE EN 05/08 Whilst the content of this leaflet has been edited with the greatest care, we are not liable for any errors and/or omissions. Subject to change without notice.

**EMCO WHEATON**

A Gardner Denver Product

Better by  
Design



EMCO WHEATON GmbH  
Emcostraße 2-4 · 35274 Kirchhain · Germany  
Phone +49 6422 84-0 · Fax +49 6422 5100