

## SUPPORTED BOOM TOP LOADING ARM | E2025

**5 year limited warranty** on D2000 World Series swivel joints.

Supported boom loaders are the most versatile of all top loading arms. They provide the greatest mis-spot capability and allow for the greatest reach. See spotting map.

Easy to adjust, super smooth action spring cylinder balance, heavy duty capacity swivel joints and a custom boom support enable these arms to reach even further than the E2022 unsupported boom loader.

Standard arms feature the D2000 World Series swivel joint. A heavy duty, low profile joint with a 5-year maintenance free limited warranty. A variety of seal configurations and elastomers ensure long life performance for each specific application.

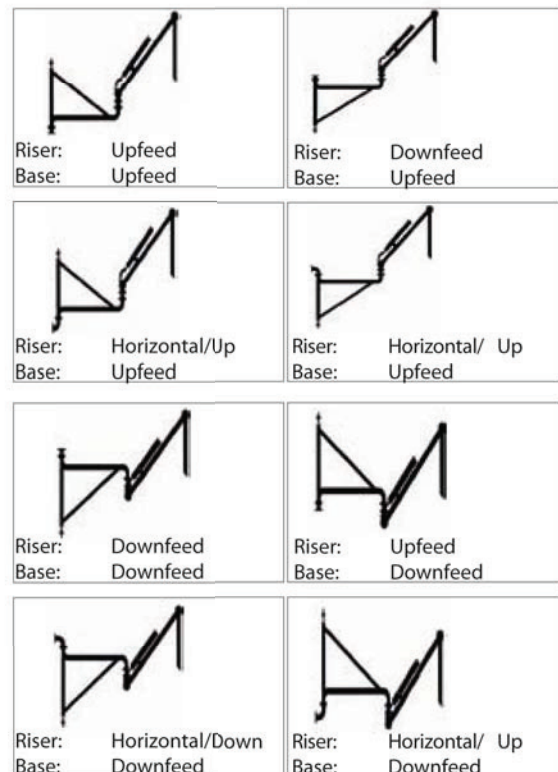
Standard vertical range of movement for the arm is +55 deg (park position) to -20 deg (loading position). A World Series spring cylinder can provide up to 95 deg of full movement if required.

- ☞ Pipe size: 2" through 12"
- ☞ Materials of liquid path: Carbon steel, Carbon steel / Aluminum.



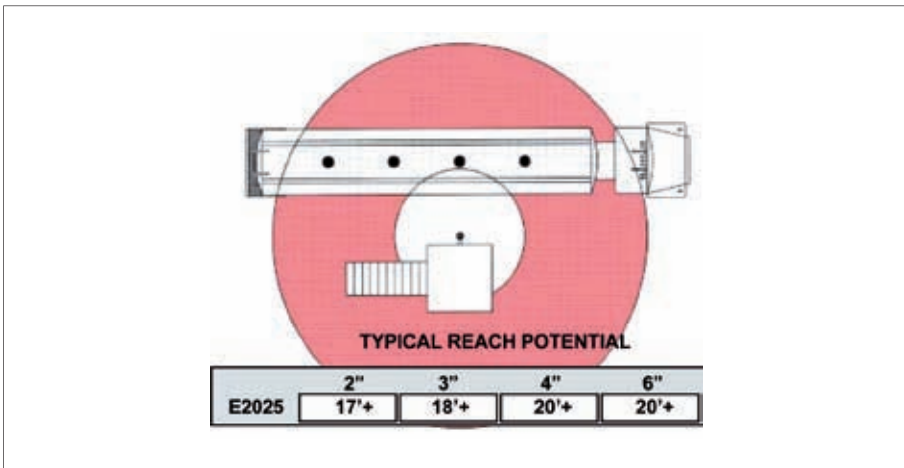
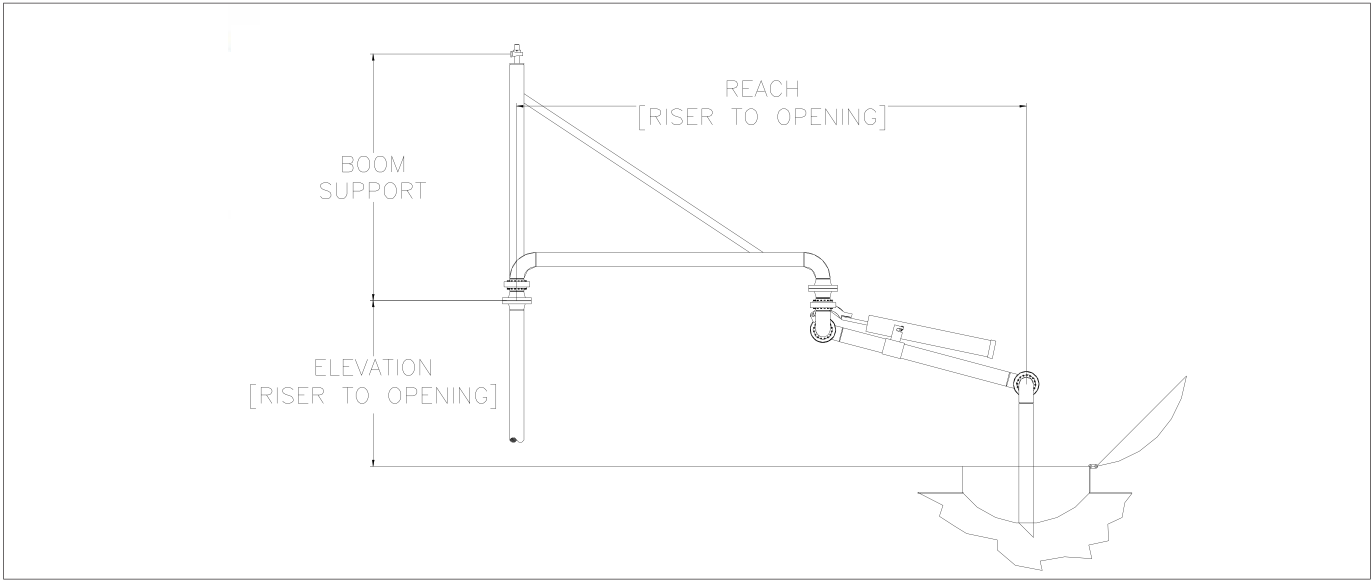
### Riser connection options

Loading arms shown in the park position



# E2025

Dimensions and technical data



E 2 0 2 5 U S A 0 7 / 0 6

*Better by Design*

Whilst the content of this leaflet has been edited with the greatest care, we are not liable for any errors and/or omissions. Subject to change without notice.



**EMCO WHEATON**  
A Gardner Denver Product

EMCO WHEATON USA INC  
9111 Jackrabbit Road · Houston, Texas 77095 · USA  
Phone +1 281 856-1300 · Fax +1 281 856-1325  
www.emcowheaton.com · sales-us@emcowheaton.com