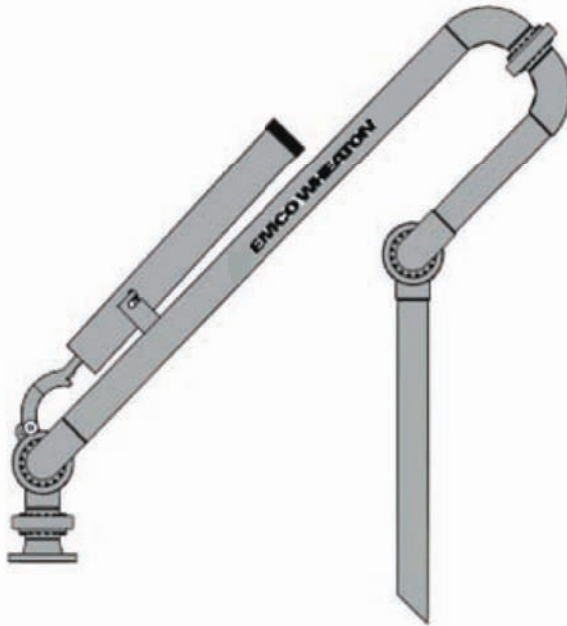


## VARIABLE REACH TOP LOADING ARM | E2112



5 year limited warranty on D2000 World Series swivel joints.

Versatility of reach makes this arm ideal for application where more than one compartment can be reached without re-spotting the vehicle. See spotting map.

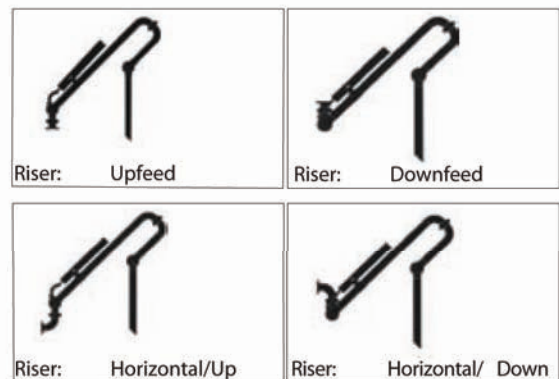
Standard vertical range of motion for the loading arm is 55° (park position) to -20° (load position). Maximum vertical range of movement up to 95° with spring cylinders.

Standard arms feature the D2000 World Series swivel joints for ultra low maintenance & the easy to adjust spring cylinder balance.

- ☞ Pipe size: 2" through 12"
- ☞ Materials: Carbon steel, Carbon steel/Aluminum, Stainless steel

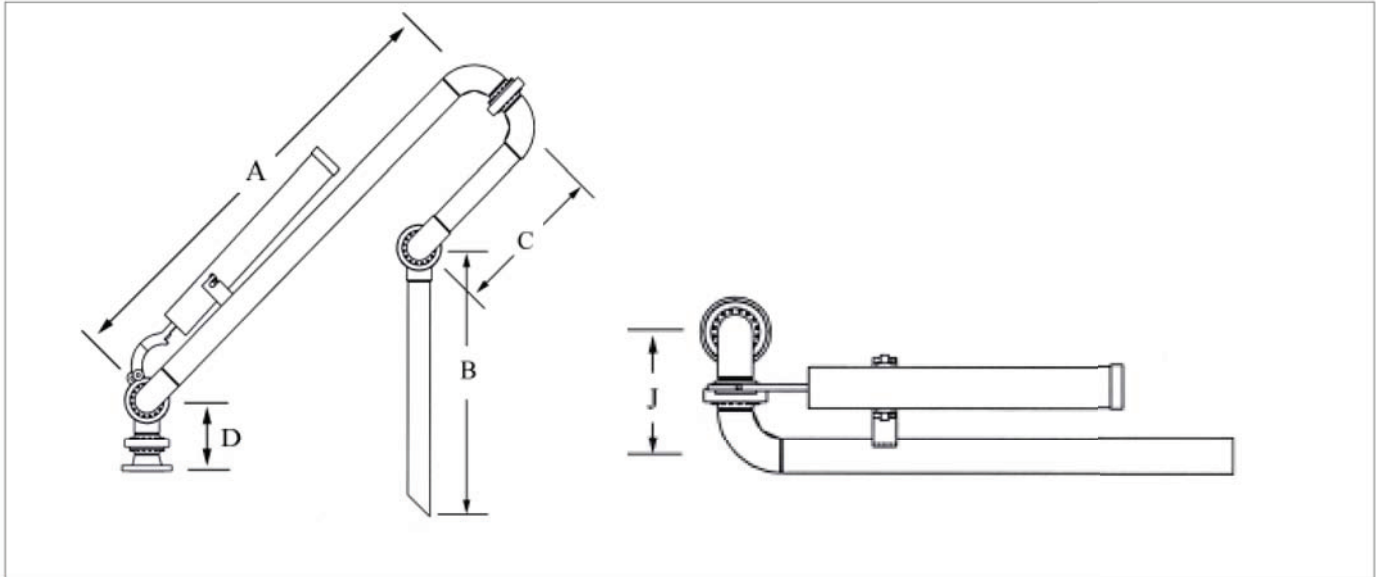
### Riser connection options

Loading arms shown in the park position



# E2112

Dimensions and technical data



Dimensions

	D	J	L
2"	9.99"	10.11	10.11"
3"	11.86"	13.11	13.11"
4"	14.11"	16.11	16.11"

