

MYR LINKAGE A-FRAME LOADING ARM | E2123



5 year limited warranty on D2000 World Series swivel joints.

MYR linkage allows for effortless handling of the outboard section of the loading arm while maintaining a constant height.

Standard vertical range of motion for the loading arm is 90° (park position) to 45° (load position).

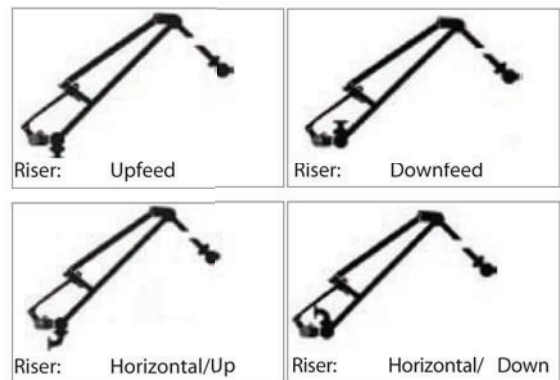
Not recommended where multiple arm cross-over is required.

Standard arms feature the D2000 World Series swivel joints for ultra low maintenance & the easy to adjust spring balance.

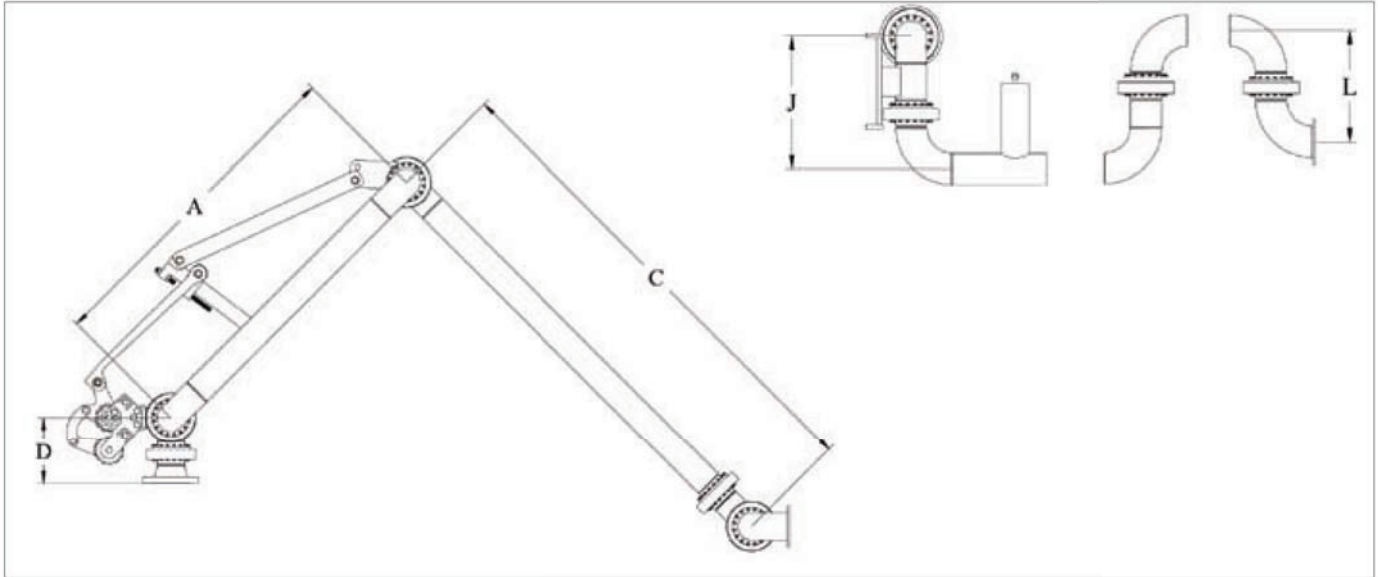
- ☞ Pipe size: 2" through 4"
- ☞ Materials: Carbon, Steel carbon, Steel/ Aluminum, Stainless steel

Riser connection options

Loading arms shown in the park position

**E2123**

Dimensions and technical data



Better by
Design

Whilst the content of this leaflet has been edited with the greatest care, we are not liable for any errors and/or omissions. Subject to change without notice.



EMCO WHEATON
A Gardner Denver Product

EMCO WHEATON USA INC
9111 Jackrabbit Road · Houston, Texas 77095 · USA
Phone +1 281 856-1300 · Fax +1 281 856-1325
www.emcowheaton.com · sales-us@emcowheaton.com