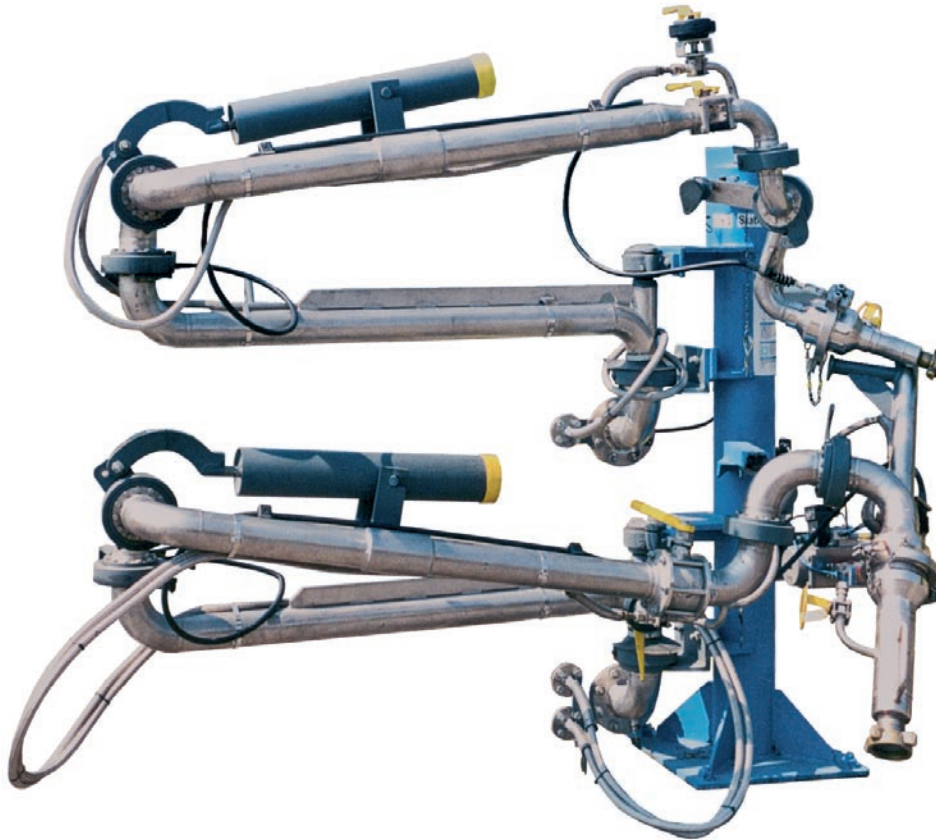


## E2386 | BOTTOM LOADING STATION



### FEATURES

- \* Petroleum applications
- \* Chemical applications
- \* Safe loading from ground level
- \* Flexible handling
- \* Long reach

This type of loading arm is especially designed to load products where vapour return is necessary.

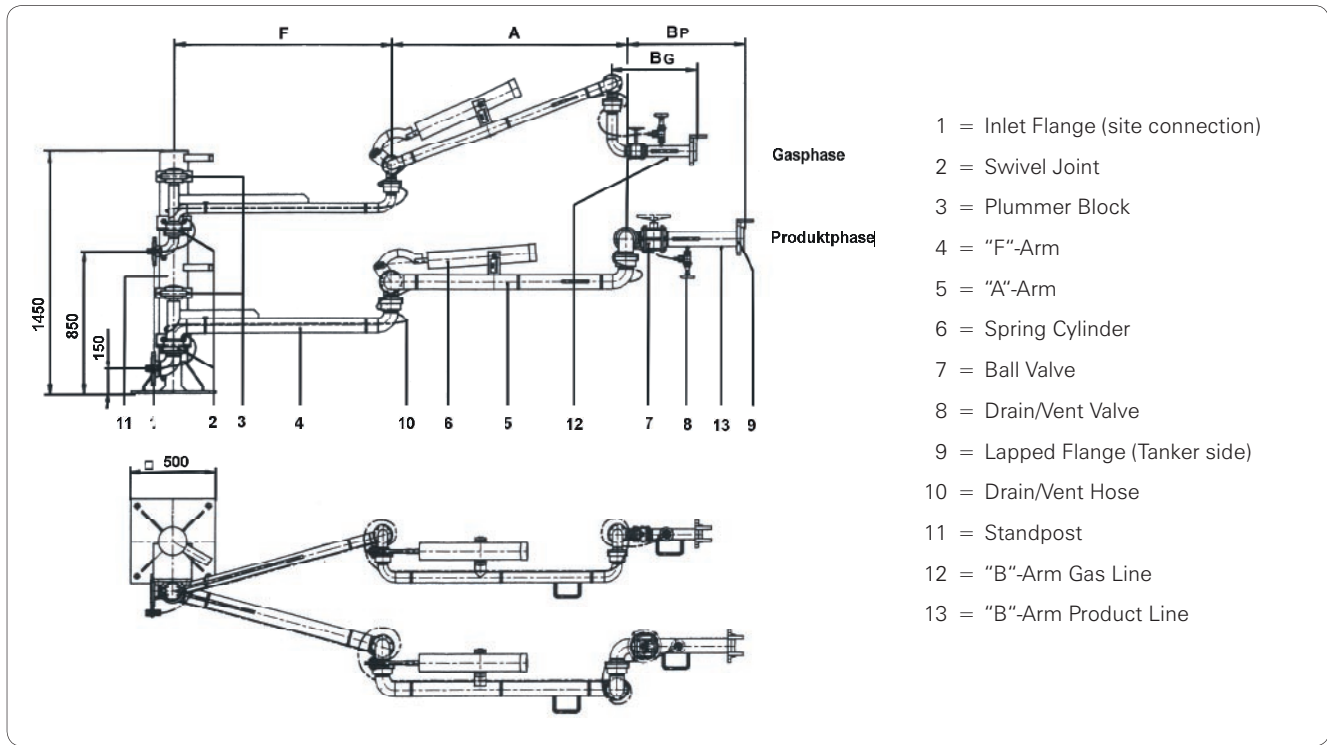
It is suitable for the bottom loading/unloading of Road or Rail tankers with flange connection or coupling.

The loading arm has a long reach and is suitable for applications where tanker connection flange cannot be accurately positioned.

Because of the robust and high quality design of the swivel joints and the precise loading arm balancing handling of the loading arm is very convenient.

# E2386

# E2386 | BOTTOM LOADING STATION



- 1 = Inlet Flange (site connection)
- 2 = Swivel Joint
- 3 = Plummer Block
- 4 = "F"-Arm
- 5 = "A"-Arm
- 6 = Spring Cylinder
- 7 = Ball Valve
- 8 = Drain/Vent Valve
- 9 = Lapped Flange (Tanker side)
- 10 = Drain/Vent Hose
- 11 = Standpost
- 12 = "B"-Arm Gas Line
- 13 = "B"-Arm Product Line

## DESIGN AND TECHNICAL DATA

	Size	Balancing Method	Product Entry
Gas Line	DN 50	Spring Cylinder	horizontal
Product Line	DN 80		

Alternative dimensions available on request.  
Please advise with your inquiry the exact product specification!

## MATERIALS AND TECHNICAL DATA

Materials of product carrying parts	carbon steel, stainless steel or low temperature steel
Materials of seals	Buna, Viton or PTFE
Design pressure	max. 40 bar up to shut off valve
Design temperature	-45 °C to +300 °C

## ACCESSORIES:

- \* Sixth swivel joints
- \* Parallel bar
- \* Gas spring balancing for B-length
- \* Emergency release system

## ENVELOPE DRAWING

