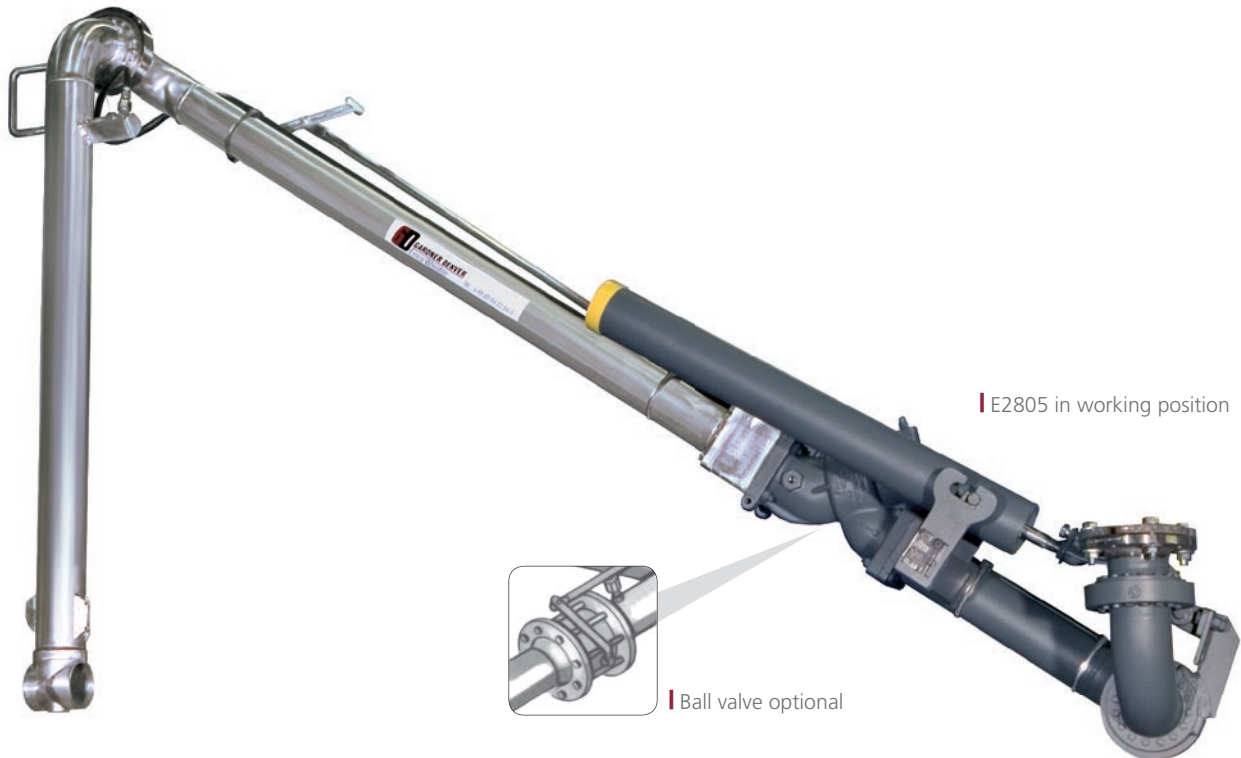


E2804, E2805, E2812, E2813 | STANDARD LOADING ARMS



FEATURES

- * Petroleum application
- * Chemical application
- * Accessories:
Holding device for filling position
- * Parallel bar

This type of loading arm is especially designed for the top loading of Road or Rail tankers using the manhole. The loading arm has a fixed reach and is suitable for application where the manhole can be accurately positioned.

Because of the robust and high quality design of the swivel joints and the precise loading arm balancing handling of the loading arm is very convenient.

E2804, E2805, E2812, E2813

E2804, E2805, E2812, E2813 | LOADING ARMS

TECHNICAL DATA E2804, E2805, E2812, E2813

Size DN	A*	B*	D	L Mineral Oil	L Chemical	J DIN PN 16	J ANSI 150 lbs
mm	mm	mm	mm	mm	mm	mm	mm
50	2000	1600	256	249	256	225	244
80	2800	1600	333	327	333	269	288
100	2800	1600	411	383	411	311	335
150	2800	1600	665	534	625	452	485

Alternative dimensions and materials on request

TYPES

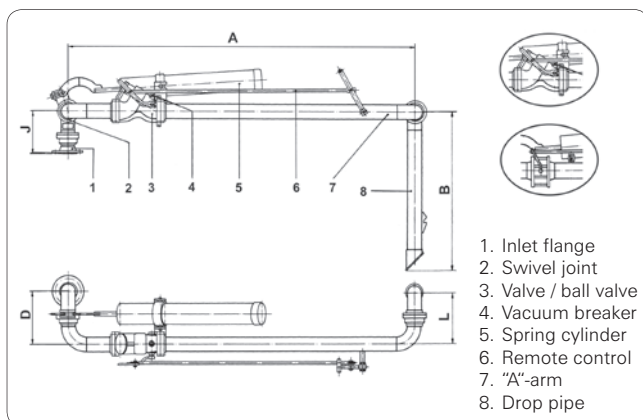
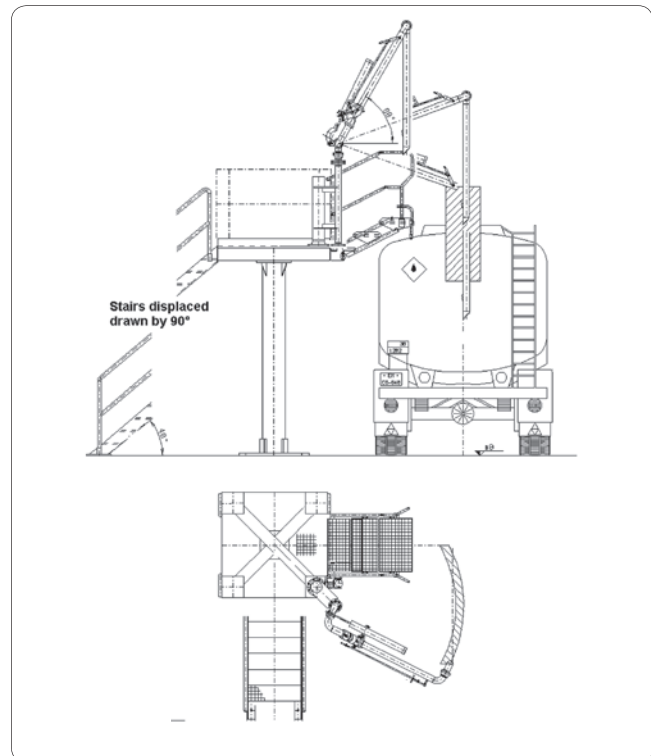
Sketch	Type	DN	Balancing method
Mineral oil industry			
	E2804	80, 100, 150	SC
	E2812-901	50	
	E2805	80, 100, 150	SC
	E2813-901	50	
Chemical oil industry			
	E2812	50, 80, 100	SC
	E2828		CW
	E2813	50, 80, 100	SC
	E2355		CW

DN 50 version with ball valve instead of valve.
Remote control with return spring
SC = Spring cylinder
CW = Counterweight

MATERIALS OF PRODUCT CARRYING PARTS

	Mineral oil	Chemicals
Inlet flange up to valve	Carbon steel	Carbon steel, stainless steel
Valve	S.G. iron	
"A"-tube to outlet	Aluminium	
Seals	Buna, Viton (no PTFE)	Buna, Viton, PTFE
Design pressure (up to shut off valve)	max. 19 bar	max. 40 bar

TYPICAL APPLICATION



Whilst the content of this leaflet has been edited with the greatest care, we are not liable for any errors and/or omissions. Subject to change without notice.

E2804, E2805, E2812, E2813 EN 05/08

Better by
Design



EMCO WHEATON

A Gardner Denver Product

EMCO WHEATON GmbH
Emcostraße 2-4 · 35274 Kirchhain · Germany
Phone +49 6422 84-0 · Fax +49 6422 5100