

## E2824 - E2839 | STANDARD BOTTOM LOADING ARMS



| Shown design with Emergency Release System

### FEATURES

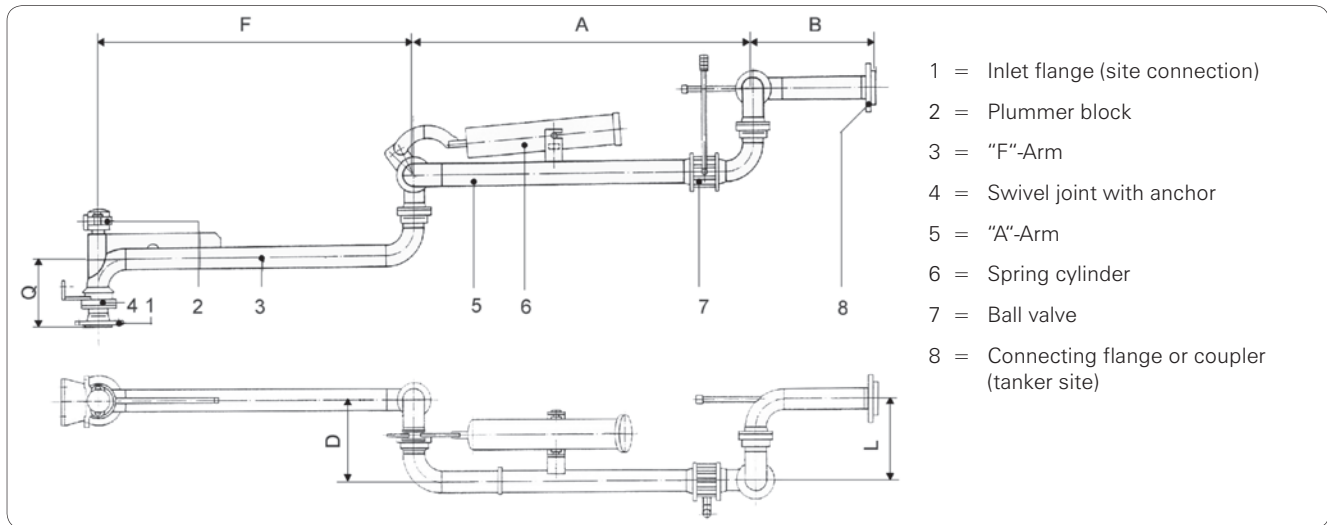
- \* Petroleum applications
- \* Chemical applications
- \* Safe bottom loading
- \* Reliable
- \* Easy handling
- \* Low maintenance
- \* Economic
- \* Environmentally friendly
- \* Safest balancing system
- \* EMCO high performance swivel joints

This type of loading arm is especially designed to load mineral oil or chemical products. It is suitable for the bottom loading/unloading of road or rail tankers. The loading arm has a long reach and is suitable for applications where tanker connection flange cannot be accurately positioned.

Because of the robust and high quality design of the swivel joints and the precise loading arm balancing handling of the loading arm is very convenient.

# E2824 - E2839

# E2824 - E2839 | STANDARD BOTTOM LOADING ARMS



## DIMENSIONS

DN mm	A* mm	B* mm	D mm	F* mm	L mm	Q DIN PN 16 mm	Q ANSI 150 lbs mm
50	1400	500	256	1300	256	225	244
80	1400	500	333	1300	333	269	288
100	1400	500	411	1300	411	311	335

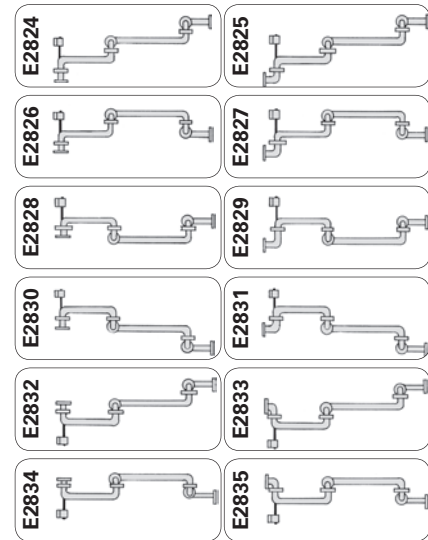
\* Standard dimensions – Alternative dimensions available on request.

## MATERIALS AND TECHNICAL DATA

Materials of product carrying parts and swivel joints	Carbon steel or stainless steel, internal lining is possible
Materials of seals	Buna, Viton oder PTFE other seals available
Balancing method	Spring cylinder
Sizes	DN 50, 80, 100
Design pressure	max. 40 bar up to shut off valve
Design temperature	-50 °C to max. 300 °C

To be equipped with: Relief line or purge line. Flange connection detection system

## ALTERNATIVE CONFIGURATIONS



## ACCESSORIES

- \* Sixth swivel joints
- \* Parallel bar
- \* Gas spring balancing for B-length
- \* Emergency Release System