

J0451 | API COUPLER



FEATURES

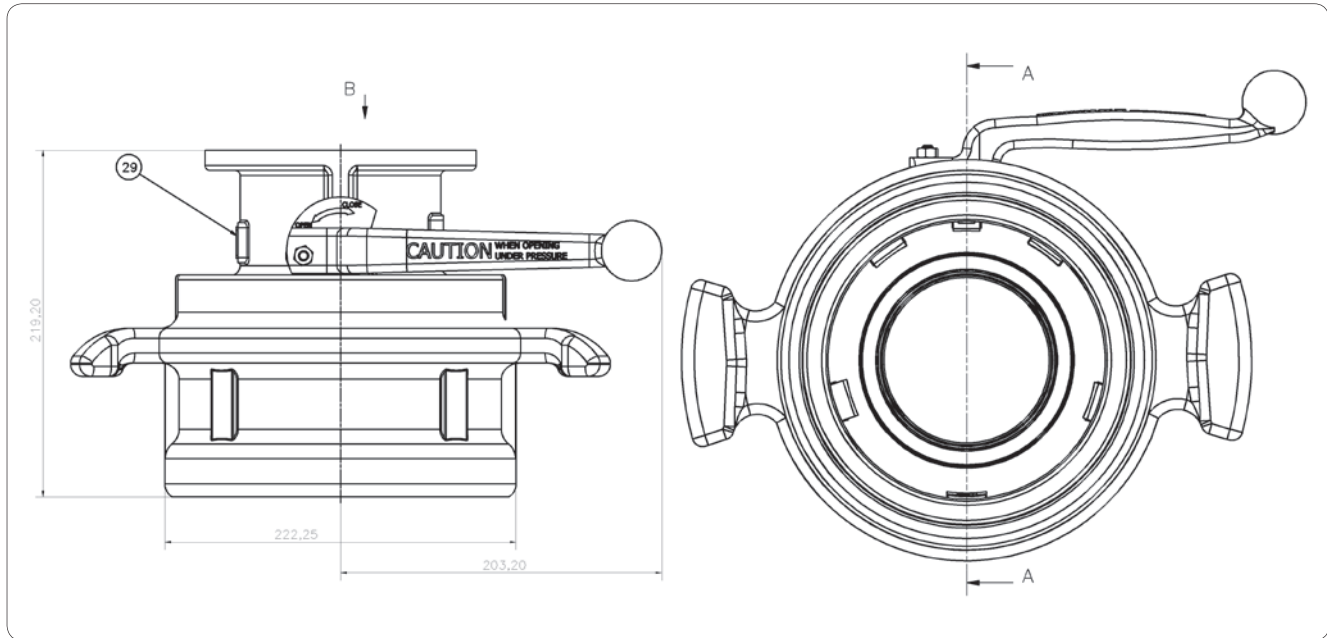
- * Industry standard for over 25 years
- * Quality forged aluminum lever provides long lasting strength
- * Seal and gaskets contained in recessed cavity for tight seal
- * Roller bearing in operator lever assures easy and smooth open/close action. Eliminates jamming or kick-back
- * Easy to use grasp handle
- * Standard design now 10 bar (150 PSI) pressure rating
- * Connects to 4 inch tank truck flange
- * Weight = 9.8 kg (21,61 lbs)

Quality and perfection always drive new standards within EMCO WHEATON. This includes our API-coupler range that is used by petro-chemical companies worldwide. The new **J0451** has been re-engineered to set a new, higher standard in API-couplers. A number of improved components guarantee a safe, leak-free operation and easy, comfortable handling.

J0451

J0451 | API COUPLER

DIMENSIONS AND PART NUMBERS



TECHNICAL DATA

Part No.	Description	Weight	Pressure-rate
J0451-051	4" API coupler with HP Viton seals	9.8 kg (21.61 lbs)	10 bar (150 PSI)
J0451-052	4" API coupler with Buna seals	9.8 kg (21.61 lbs)	10 bar (150 PSI)
J0451-053	4" API coupler with low-temperature Viton seals	9.8 kg (21.61 lbs)	10 bar (150 PSI)

Whilst the content of this leaflet has been edited with the greatest care, we are not liable for any errors and/or omissions. Subject to change without notice.

J0451 EN 03/08

*Better by
Design*



EMCO WHEATON

A Gardner Denver Product

EMCO WHEATON GmbH
Emcostraße 2-4 · 35274 Kirchhain · Germany
Phone +49 6422 84-0 · Fax +49 6422 5100