

WE2800 | WORLD TOP LOADER "LONG REACH DESIGN"



FEATURES

- * Reliable
- * Easy handling
- * Low maintenance
- * Cost effective
- * Protecting the environment
- * Safest balancing system
- * EMCO-high performance swivel joints

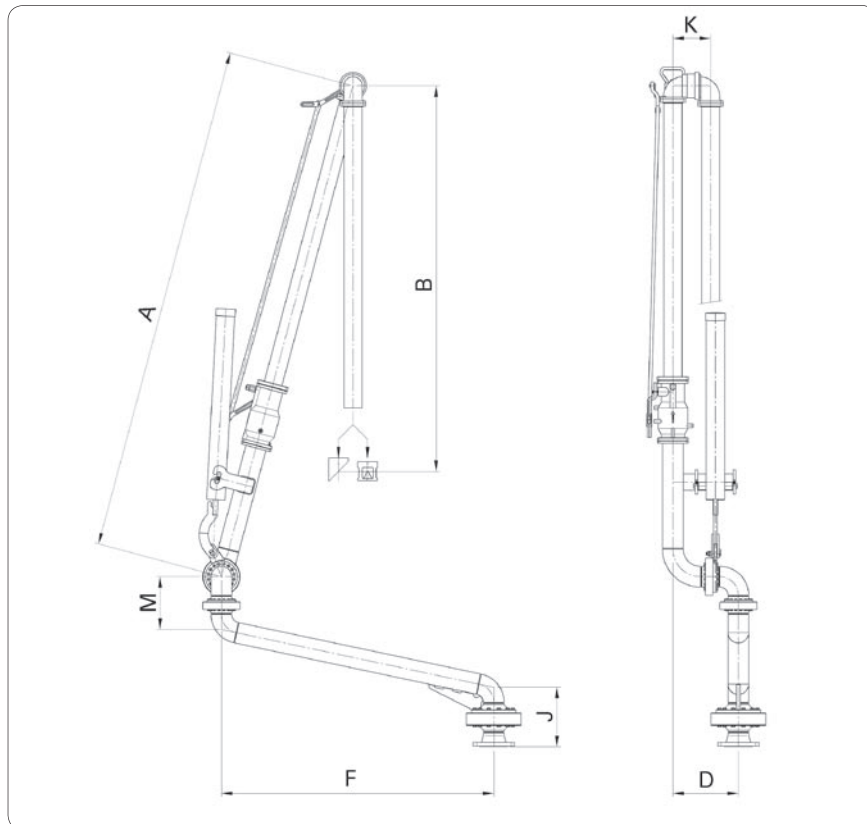
This type of loading arm is especially designed for the top loading of road or rail tankers using the manhole. The loading arm is suitable for applications where the manhole cannot be accurately positioned and a long reach is required.

Because of the robust and high quality design of the swivel joints and the precise loading arm balancing handling of the loading arm is very convenient.

WE2800

WE2800 | WORLD TOP LOADER "LONG REACH DESIGN"

DIMENSIONS AND TECHNICAL DATA

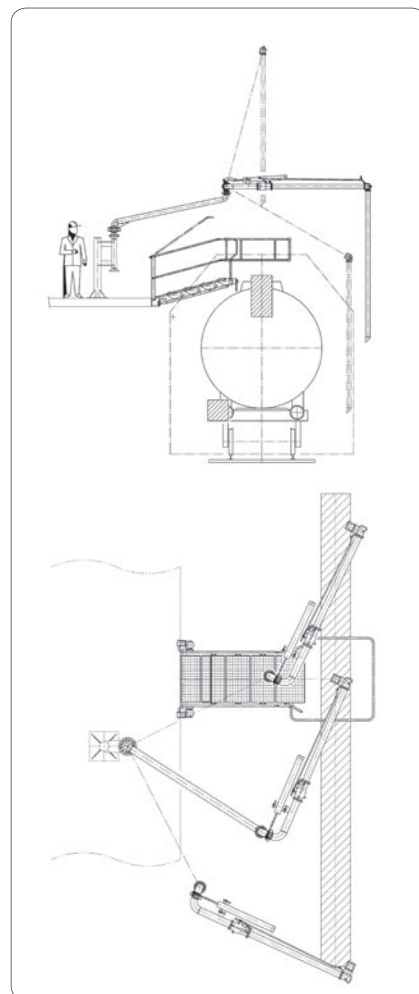


EMCO WHEATON carbon steel swivel joint with flame hardened ball race way for a long life time!

For more details see our data sheet swivel joint **D2000**.



ENVELOPE DRAWING



DIMENSIONS

	DN 80	DN 100
F*	2000	2000
A*	2800	2800
B*	1600	1600
D	295	361
K	191	207
J DIN PN 16	215	303
J ANSI 150 lbs	235	327

* Standard dimensions
Alternative dimensions available on request.

MATERIALS AND TECHNICAL DATA

Inlet flange up to valve	carbon steel
Valve	aluminium
"A"-tube to outlet	aluminium
Seals	Viton, Perbunan
Design pressure:	16 bar up to shut off valve
Design temperature	-10 °C to +80 °C

Whilst the content of this leaflet has been edited with the greatest care, we are not liable for any errors and/or omissions. Subject to change without notice.

WE2800 EN 05/08

Better by
Design



EMCO WHEATON

A Gardner Denver Product

EMCO WHEATON GmbH
Emcostraße 2-4 · 35274 Kirchhain · Germany
Phone +49 6422 84-0 · Fax +49 6422 5100