

WE2804 | WORLD TOP LOADER "FIXED REACH VERSION"**FEATURES**

- * Reliable
- * Easy handling
- * Low maintenance
- * Cost effective
- * Protecting the environment
- * Safest balancing system
- * EMCO-high performance swivel joints

The „World-Series“ Loading Arms have been especially designed for the International Petroleum Industry requirements.

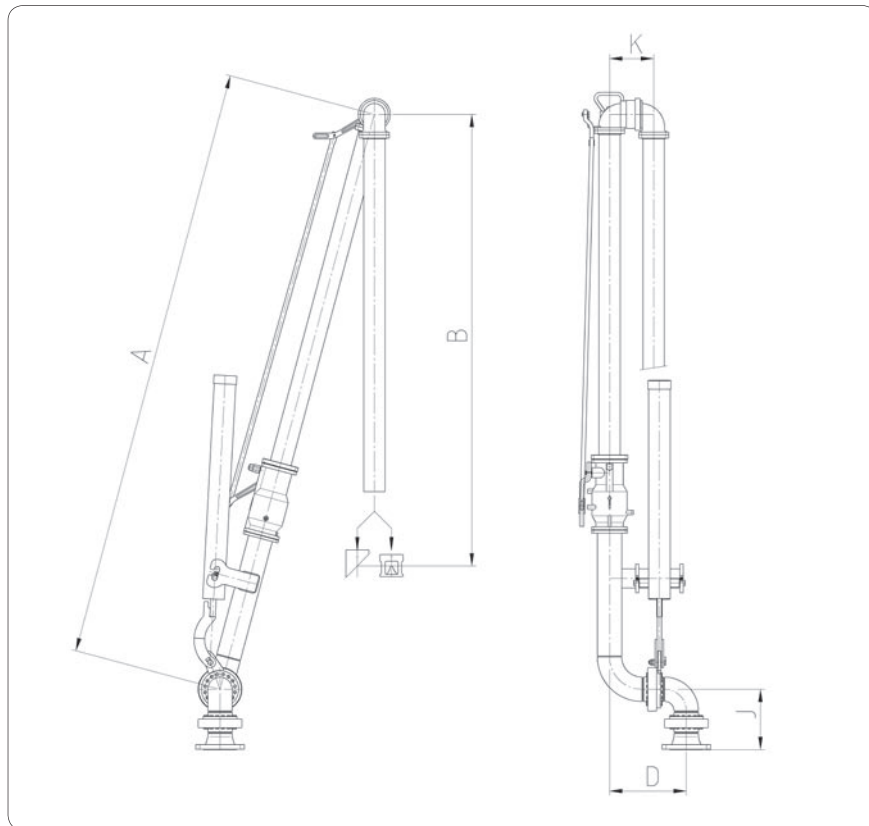
This type of loading arm is designed for the top loading of road or rail tankers using the manhole. It is suitable for applications where the manhole can be accurately positioned.

Because of the robust and high quality design of the swivel joints and the precise loading arm balancing, handling of the loading arm is very convenient.

WE2804

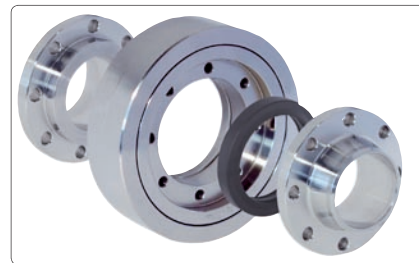
WE2804 | WORLD TOP LOADER "FIXED REACH VERSION"

DIMENSIONS AND TECHNICAL DATA

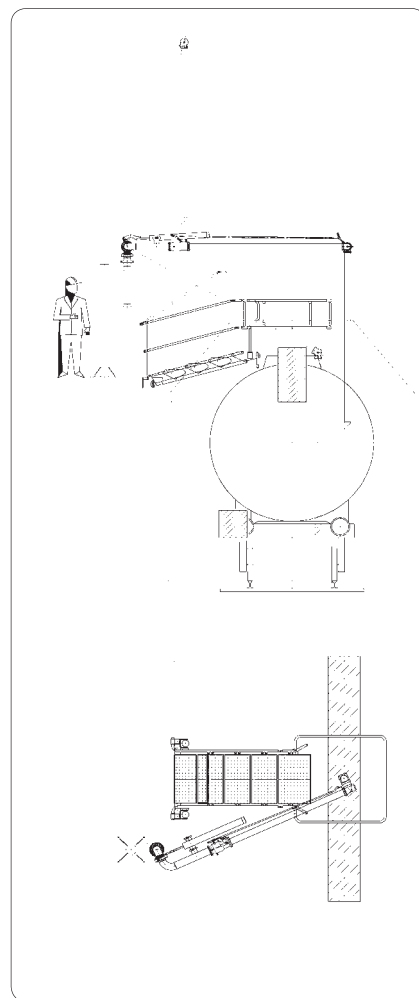


EMCO WHEATON carbon steel swivel joint with flame hardened ball race way for a long life time!

For more details see our data sheet swivel joint **D2000**.



ENVELOPE DRAWING



DIMENSIONS

	DN 80	DN 100
A*	2400	2700
B*	1200	1200
D	295	361
K	191	207
J DIN PN 16	230	260
J ANSI 150 lbs	250	384

* Standard dimensions
Alternative dimensions available on request.

MATERIALS AND TECHNICAL DATA

Inlet flange up to valve	carbon steel
Valve	aluminium
"A"-tube to outlet	aluminium
Seals	Viton, Perbunan
Design pressure:	16 bar up to shut off valve
Design temperature	-10 °C to +80 °C

Whilst the content of this leaflet has been edited with the greatest care, we are not liable for any errors and/or omissions. Subject to change without notice.

WE2804 EN 05/08

Better by
Design



EMCO WHEATON

A Gardner Denver Product

EMCO WHEATON GmbH
Emcostraße 2-4 · 35274 Kirchhain · Germany
Phone +49 6422 84-0 · Fax +49 6422 5100