

WE2852 | WORLD BOTTOM LOADER



FEATURES

- * Reliable and well proven components:
 - * EMCO carbon steel swivel joints
 - * EMCO spring cylinder
 - * Robust rubber hose
 - * EMCO API dry break coupler
- * Safe working
- * Easy operation
- * Minimal spillage
- * Welded construction

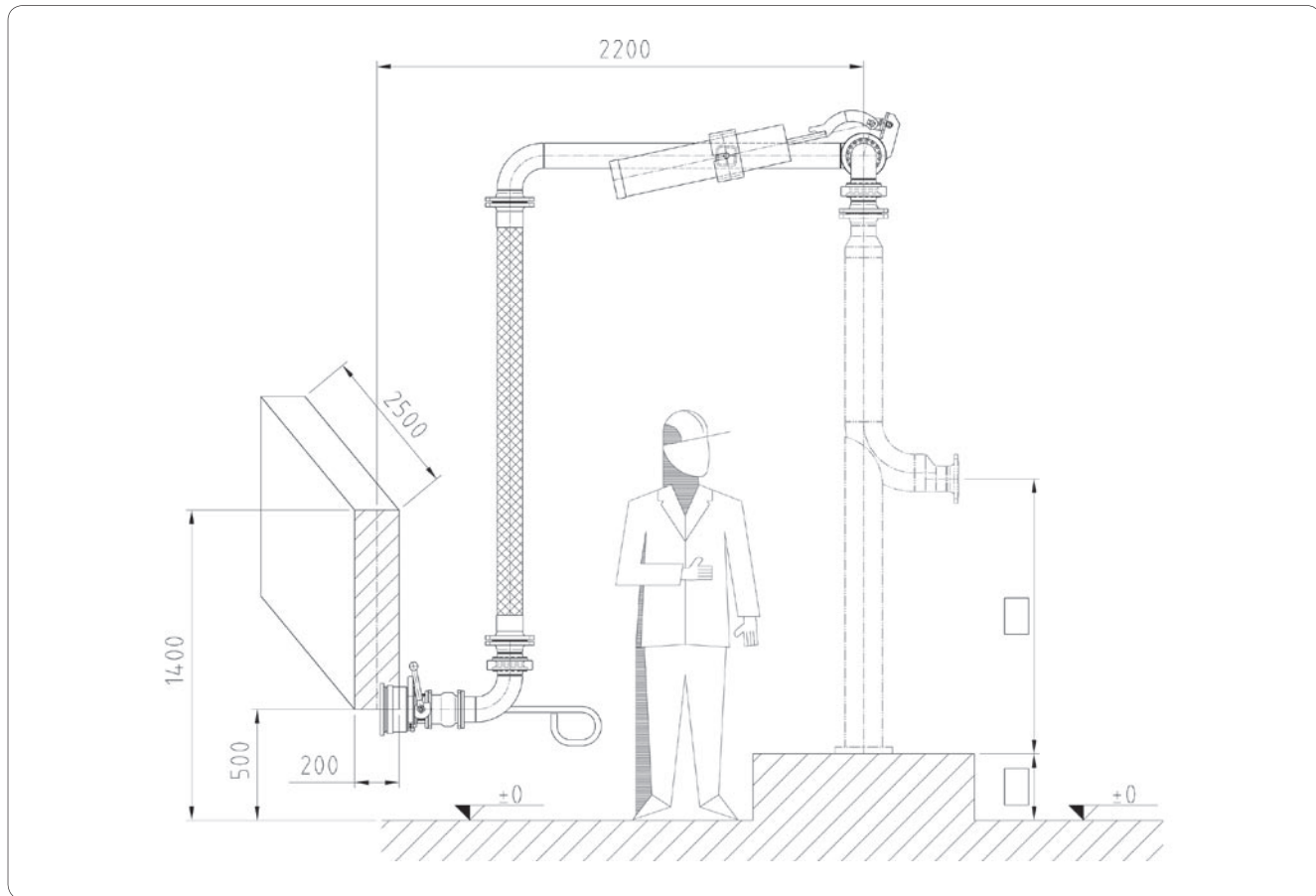
This type of loading arm is especially designed for the bottom loading/unloading of Road or Rail tankers with all type of fuels. Tanker side connection is achieved with a 4" API coupler. The loading arm dimensions are designed to allow for covering of the complete API connection area.

A bottom loading station can consist out of up to 5 product arms. The design allows unrestricted cross over of all arms (see data sheet E2701). A separate loading arm for vapor recovery completes the installation.

WE2852

WE2852 | WORLD BOTTOM LOADER

DIMENSIONS AND TECHNICAL DATA

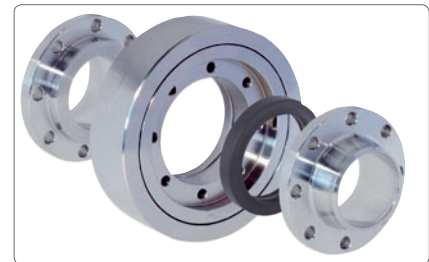


MATERIALS OF THE CARRYING PARTS AND TECHNICAL DATA

Inlet flange up to valve	carbon steel
Hose	rubber, alternative stainless steel
Elbow-swivel-assembly	aluminium
Seals	Viton, Perbunan
Design pressure:	depending on the coupler 16 bar up to shut off valve
Design temperature	-10 °C to +80 °C
Balancing method	spring cylinder

EMCO WHEATON carbon steel swivel joint with flame hardened ball race way for a long life time!

For more details see our data sheet swivel joint **D2000**.



FOR THE API DRY BREAK COUPLER YOU HAVE DIFFERENT OPTIONS:

- * PEROLO CAMSEC Coupler (10 bar) with integrated check valve, if required
- * J0100 (16 bar), high pressure version; with integrated check valve, if required
- * J0451 (6 bar), safety interlock feature
- * K2 & K2P (16 bar), zero spillage by pumping mechanism

ACCESSORIES

- * standpost
- * spool piece
- * check valve
- * vapor arm